



DESIGNER & MANUFACTURER OF OEM CUSTOM BATTERY PACKS & CHARGERS



WHY CHOOSE POWER PRODUCTS?



EXPERT DESIGN

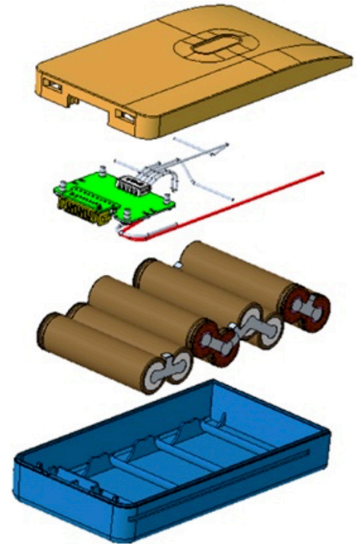
- Preparation of prototypes for testing and evaluation
- Series/parallel cell pack configurations
- BMS Design: SMBus, CANbus, fuel gauge, protection, cell balancing, as well as internal and external chargers
- Intrinsically Safe Design: FM and SGS approved
- Custom Enclosures: IP54 via IP68 rating adherence
- Regulatory Compliance: UN38.3, UL, CE, IEC RoHs, and EU directive per customer testing and market requirements



MANUFACTURING SPECIALISTS

- New, state-of-art custom pack designs
- Latest cell technologies from tier 1 suppliers
- Build from your design or enlist our expert engineers
- Existing charger platform can be customized for low-cost quick-turn, 1 bay up to 12 bays, in vehicle and stationary
- Military standards and medical device

BMS	Overcharge protection, over-discharge protection, over current protection, short circuit protection, over-temperature protection
COMMUNICATION	Internal: RS-485, I2C, CAN & serial External: 4G+GPS+BLE
CELL	High quality battery suppliers: Lithium Ion, Polymer, and Primary
MECHANICAL	Ultrasonic welding, prototyping



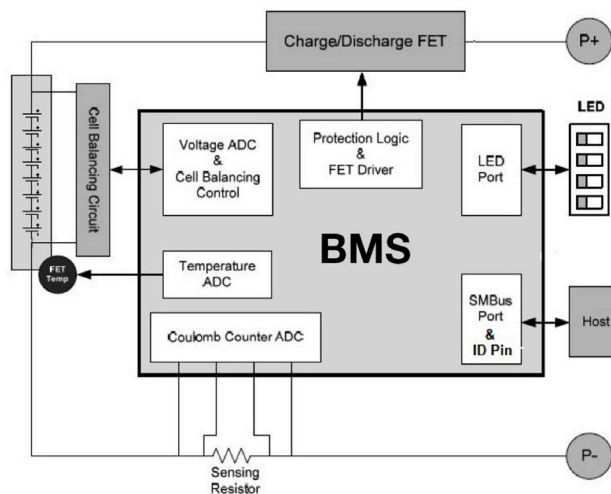
ALL CELLS & CHEMISTRIES

- Easy to work with and expert support
- U.S. engineering and project management expertise paired with offshore engineering and manufacturing capabilities
- Direct distribution from west coast supported by certified class 9 shippers
- Ability to leverage resources from Mission Critical Electronics' sister companies as needed
- \$10 million in product liability insurance



FLEXIBLE BUSINESS MODEL

- We offer the latest in lithium-ion technology, including solutions from all leading cell manufacturers like Panasonic, LG, Samsung, Moli, and tier 1 Polymer
- Specialized Cell Packs: Lithium primary, alkaline, lead acid, and emerging chemistry packs where required
- Continued support of products that require NiCad and NiMh cells and new designs can be executed
- Chargers for all rechargeable chemistries



MCE NETWORK & INDUSTRIAL POWER

